

THIRD ANGLE PROJECTION

ITEM CODE	RATED VOLTAGE	CAP. μ F (*)	DIMENSIONS					
			L	T	H	F	G	d
ECQE2W104()H	450VDC	0.1 (104)	12.7	4.2	10.9	10.0	1.0	0.6
// 2W154()H	//	0.15 (154)	//	4.9	11.6	//	//	//
// 2W224()H	//	0.22 (224)	//	5.8	12.5	//	//	//
// 2W334()H	//	0.33 (334)	//	6.5	14.7	//	//	//

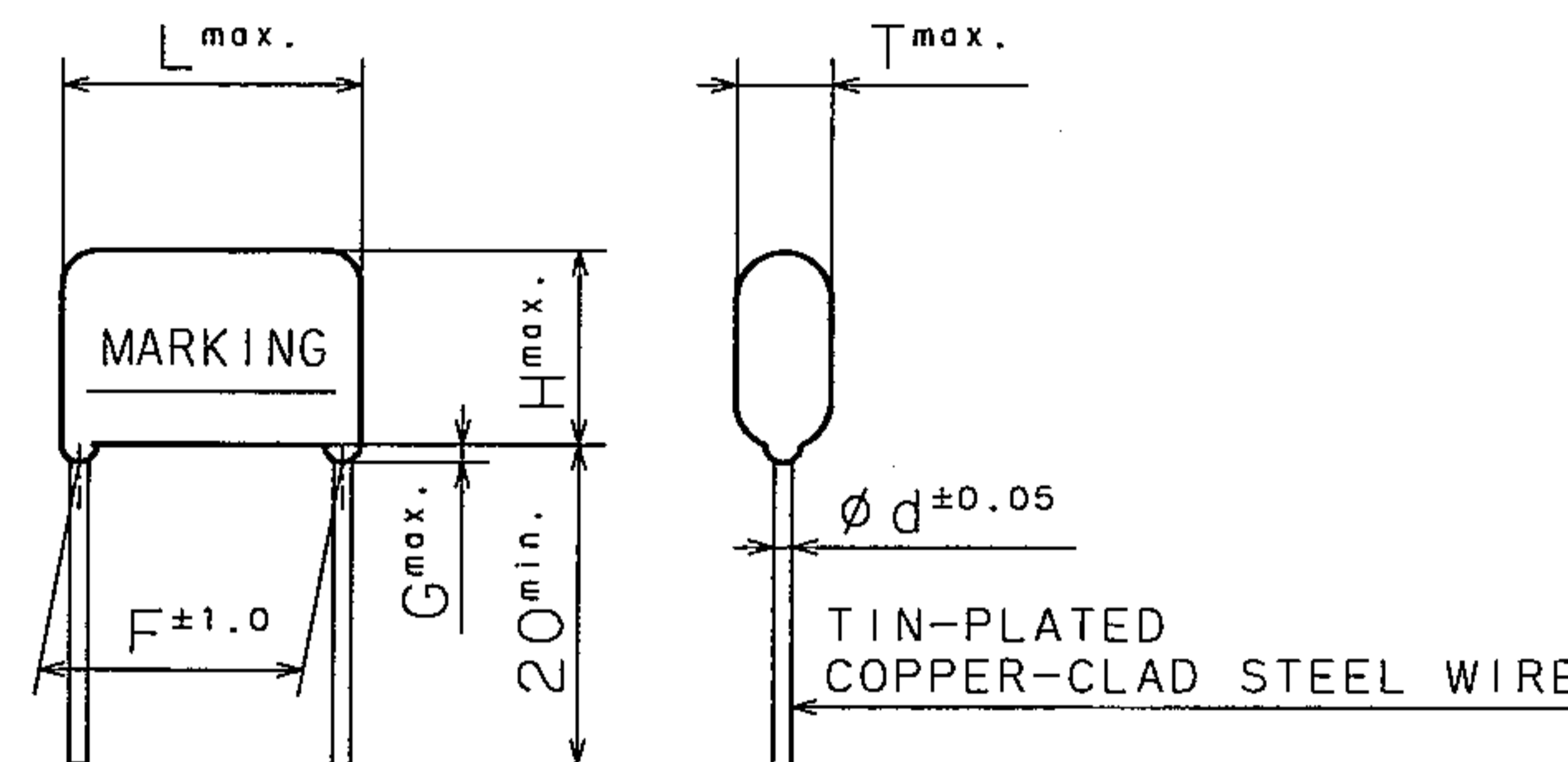
TOL. SYMBOL (J or K)

ALTERATION		
ISSUE	DESCRIPTION	DATE
SPECIFICATIONS No.		

ITEM CODE NUMBER STRUCTURE

ECQE 2W104KH (450VDC, 0.1 μ F, \pm 10%)

↑ Radial leads
 ↑ Capacitance tolerance (J= \pm 5%, K= \pm 10%)
 ↑ Capacitance (*)
 ↑ Rated voltage (2W=450VDC)



CONSTRUCTION

The capacitor is of non-inductive construction, wound with metallized polyester film dielectric.
 The capacitor is enclosed in non-combustible epoxy resin and has two leads.

MARKING

Marking comprises capacitance, capacitance tolerance, rated voltage, and date code.

PROPERTIES

- *Capacitance : See table at 1kHz.
- *Capacitance tolerance : \pm 5%(J), \pm 10%(K) at 1kHz.
- *Rated voltage : 450VDC
 (Derating of rated voltage by 1.25%/°C at more than 85°C)
- *Withstand voltage (terminal-terminal) : 450VDC \times 150% for 60s
- *Insulation resistance : \geq 9000M Ω at 100VDC, 20°C for 60s
- *Dissipation factor : \leq 1.0% at 1kHz, 20°C
- *Category temperature range : From -40°C to +105°C
 (including temperature rise on unit surface)

MARKING EXAMPLE

104 K
 450
 □
 date code

Reference ECQE(H)

DESIGN	T. Harada
CHECKED	M. Kashio
APPROVAL	m. Nagaoke
ESTABLISHMENT	Jan. 16. 2008
TYPE NAME	ECQE2W***()H
NAME	Metallized Polyester Film Capacitor
DRAWING NAME	PRODUCT DRAWING
DRAWING No.	8001M-J-E(1/1)

Panasonic Electronic Devices Co., Ltd.
 Capacitor Business Unit
 Panasonic Electronic Devices Matsue Co., Ltd.

THIRD ANGLE PROJECTION

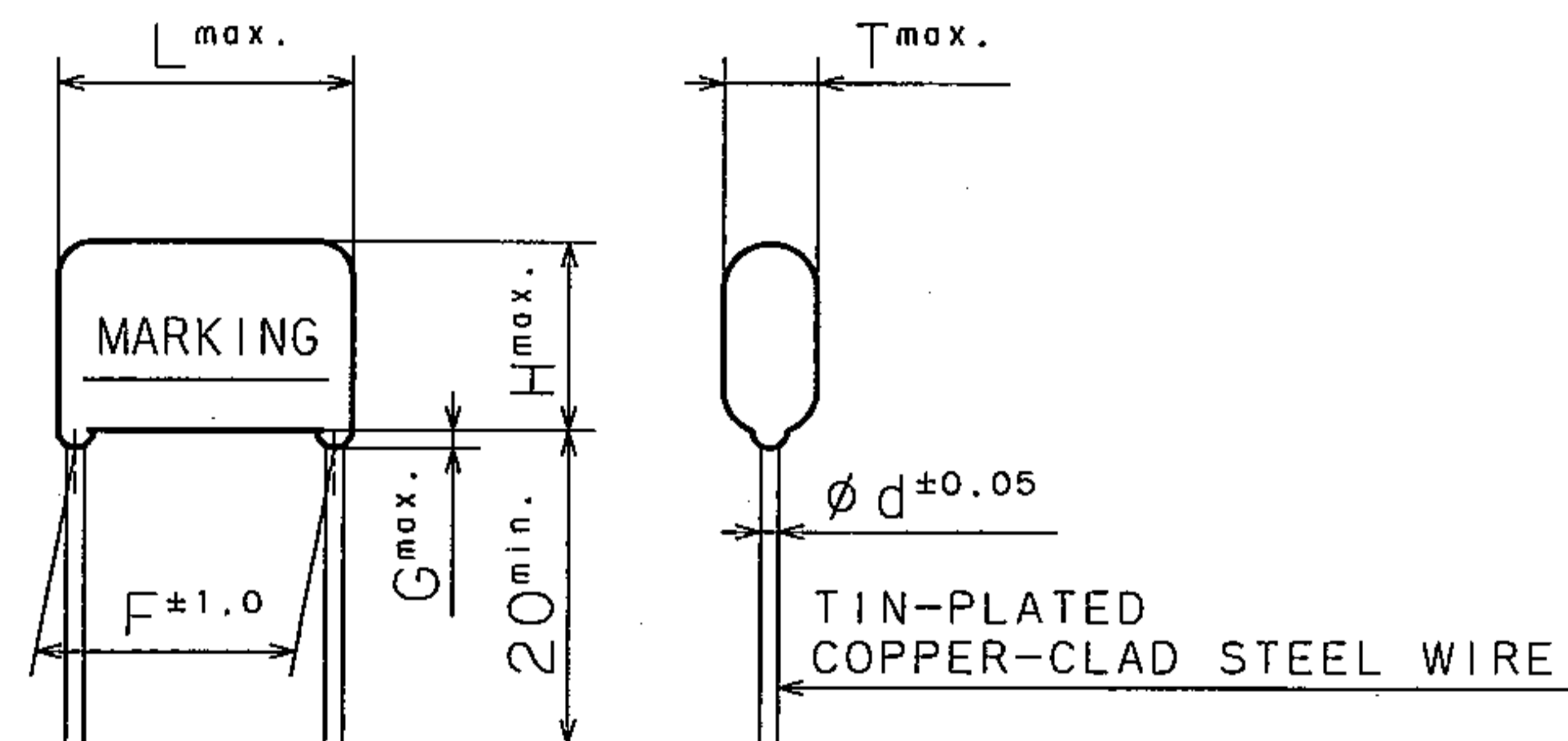
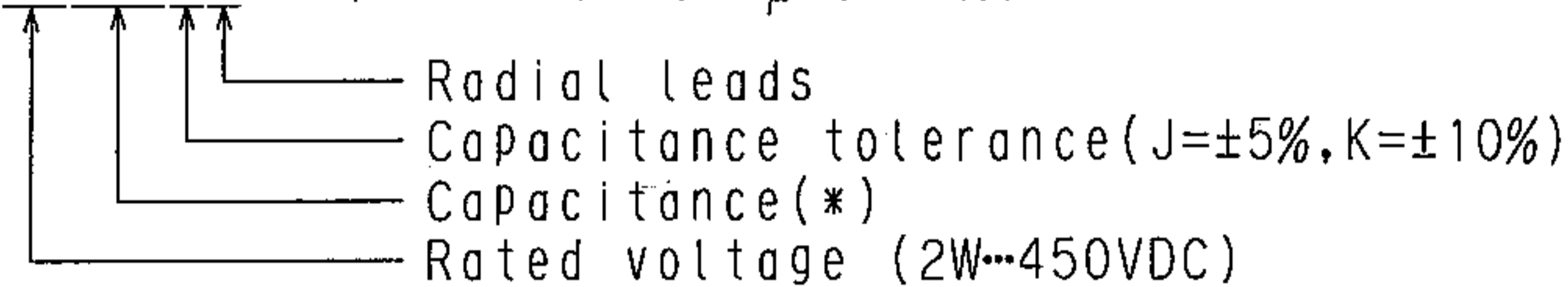
ITEM CODE	RATED VOLTAGE	CAP. μ F (*)	DIMENSIONS							MARKING STYLE
			L	T	H	F	G	d		
ECQE2W474()H	450VDC	0.47 (474)	12.7	7.7	16.0	10.0	1.0	0.6	1	
// 2W684()H	//	0.68 (684)	18.2	6.9	15.3	15.0	//	0.8	2	
// 2W105()H	//	1.0 (105)	//	8.5	16.9	//	//	//	//	
// 2W155()H	//	1.5 (155)	25.7	Δ 8.2	16.2	22.5	//	//	//	
// 2W225()H	//	2.2 (225)	//	Δ 9.4	19.7	//	//	//	//	

TOL. SYMBOL (J or K)

ALTERATION		
ISSUE	DESCRIPTION	DATE
Δ	Modification: DIMENSIONS (T) 155(7.9 \rightarrow 8.2), 225(9.1 \rightarrow 9.4)	May 20 2005
Δ	Correction: Marking example (STYLE 2: Δ mark position)	May 25 2005
Δ	Company name changed	Apr. 4 2006
SPECIFICATIONS No.		

ITEM CODE NUMBER STRUCTURE

ECQE 2W474KH (450VDC, 0.47 μ F, \pm 10%)



CONSTRUCTION

The capacitor is of non-inductive construction, wound with metallized polyester film dielectric.
The capacitor is enclosed in non-combustible epoxy resin and has two leads.

MARKING

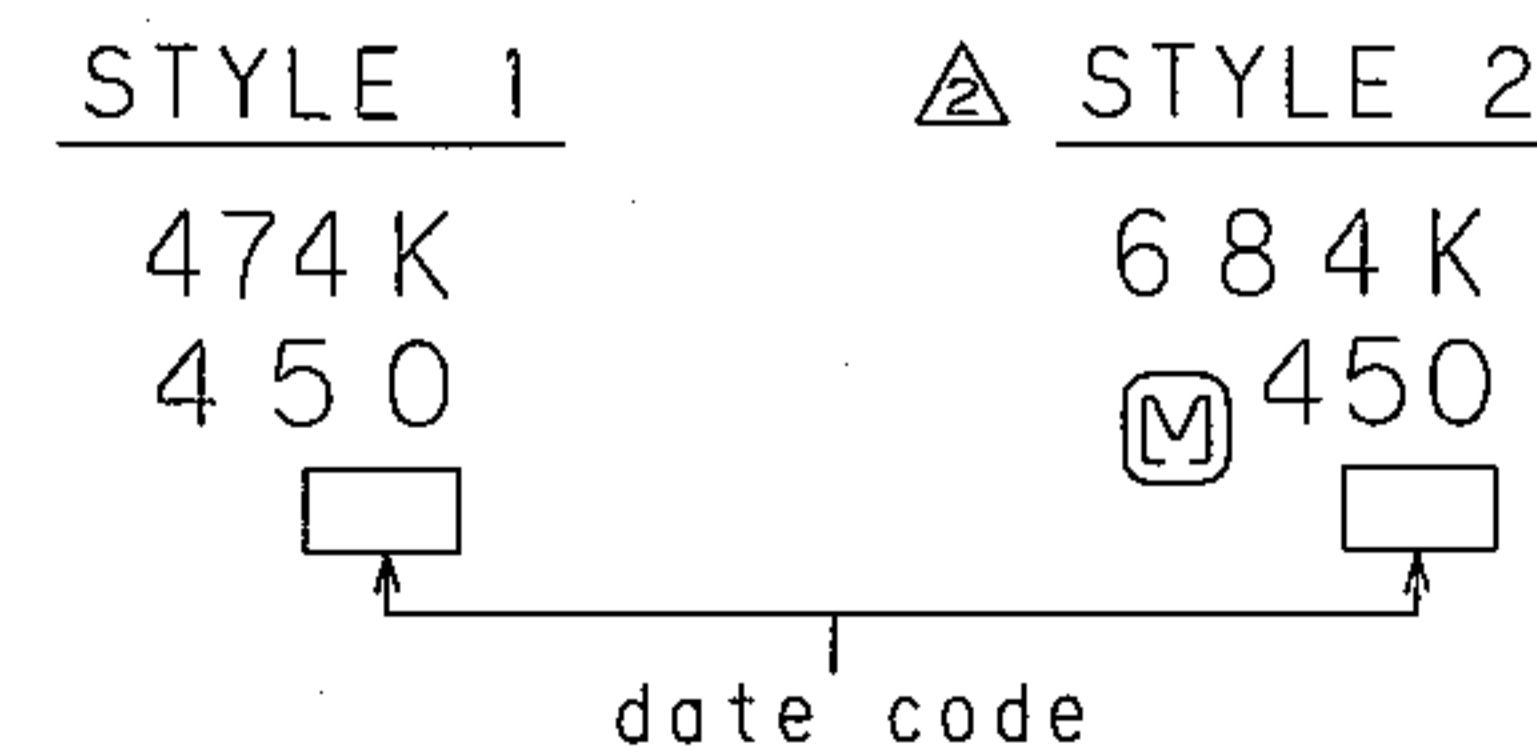
Marking comprises capacitance, capacitance tolerance, rated voltage, manufacturer's trademark (STYLE 2 only) and date code.

PROPERTIES

- *Capacitance : See table at 1kHz.
- *Capacitance tolerance : \pm 5%(J), \pm 10%(K) at 1kHz.
- *Rated voltage : 450VDC
(Delating of rated voltage by 1.25%/ $^{\circ}$ C at more than 85 $^{\circ}$ C)
- *Withstand voltage (terminal-terminal) : 450VDC \times 150% for 60s
- *Insulation resistance : \geq 3000M Ω $\cdot\mu$ F at 100VDC, 20 $^{\circ}$ C for 60s
- *Dissipation factor : \leq 1.0% at 1kHz, 20 $^{\circ}$ C
- *Category temperature range : From -40 $^{\circ}$ C to +105 $^{\circ}$ C
(including temperature rise on unit surface)

Reference ECQE(H)

MARKING EXAMPLE



DESIGN	T. Harada
CHECKED	M. Nishikori
APPROVAL	M. Nagasaka
ESTABLISHMENT	Apr. 14, 2005
TYPE NAME	ECQE2W*** ()H
NAME	Metallized Polyester Film Capacitor
DRAWING NAME	PRODUCT DRAWING
DRAWING No.	5028M-J-E(1/1)

Panasonic

Panasonic Electronic Devices Matue Co., Ltd.
Capacitor Business Unit, Panasonic Electronic Devices Co., Ltd.

DO NOT SCALE DRAWING REVISIONS INDICATED BY Δ ALL DIMENSIONS ARE IN MILLIMETERS