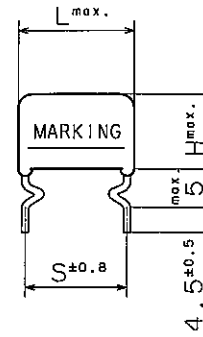


THIRD ANGLE PROJECTION

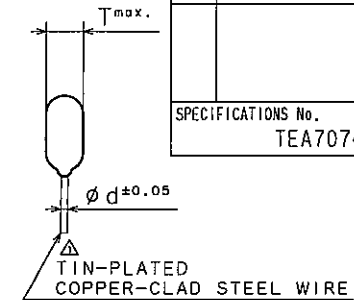
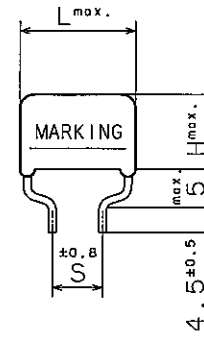
ITEM CODE	RATED VOLTAGE	CAP. $\mu$ F ( * )	DIMENSIONS					MARKING STYLE	FORMING TYPE
			L	T	H	S	d		
ECQE2A103()FB	250VAC	0.01 (103)	12.5	5.5	10.8	10.0	0.6	1	D
# 2A123()FB	#	0.012(123)	#	6.0	11.5	#	#	#	#
# 2A153()FB	#	0.015(153)	#	6.3	9.9	#	#	#	#
# 2A183()FB	#	0.018(183)	#	6.0	11.9	#	#	#	#
# 2A223()FB	#	0.022(223)	#	#	11.5	#	#	#	#
# 2A273()FB	#	0.027(273)	#	5.5	10.9	#	#	#	#
# 2A333()FB	#	0.033(333)	#	6.0	11.9	#	#	#	#
# 2A393()FB	#	0.039(393)	#	#	13.4	#	#	#	#
# 2A473()FB	#	0.047(473)	#	6.5	14.4	#	#	#	#
# 2A563()FB	#	0.056(563)	18.5	5.4	10.5	#	#	2	B
# 2A683()FB	#	0.068(683)	#	5.8	11.0	#	#	#	#
# 2A823()FB	#	0.082(823)	#	6.3	12.0	#	#	#	#
# 2A104()FB	#	0.1 (104)	#	#	14.0	#	#	#	#
# 2A124()FB	#	0.12 (124)	#	6.8	14.5	#	0.8	#	#
# 2A154()FB	#	0.15 (154)	#	7.5	15.4	#	#	#	#
# 2A184()FB	#	0.18 (184)	#	8.0	16.0	#	#	#	#
# 2A224()FB	#	0.22 (224)	#	9.0	16.9	#	#	#	#
# 2A274()FB	#	0.27 (274)	26.0	7.0	16.5	15.0	#	#	#
# 2A334()FB	#	0.33 (334)	#	7.8	17.0	#	#	#	#
# 2A394()FB	#	0.39 (394)	#	8.5	17.9	#	#	#	#
# 2A474()FB	#	0.47 (474)	#	9.3	18.5	#	#	#	#

TOL. SYMBOL (J or K or M)

TYPE D



TYPE B

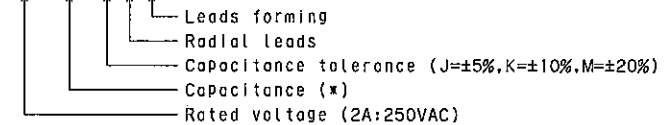


ALTERATION		
ISSUE	DESCRIPTION	DATE
△	Overall rewriting Modification	Jun.20 2002
△	Company name changed	Oct. 1 2004
△	Company name changed	Apr. 1 2005

SPECIFICATIONS No.  
TEA7074H

ITEM CODE NUMBER STRUCTURE

ECQE 2A 103 K F B (250VAC, 0.01 $\mu$ F,  $\pm$ 10%)



CONSTRUCTION

The capacitor is of non-inductive construction, wound with metallized polyester film dielectric.  
The capacitor is enclosed in non-combustible epoxy resin and has two leads.

MARKING

Marking comprises capacitance, capacitance tolerance, rated voltage, manufacturer's trademark(STYLE 2 only) and date code.

PROPERTIES

Capacitance: See table at 1kHz  
 Capacitance tolerance:  $\pm$ 5%(J),  $\pm$ 10%(K),  $\pm$ 20%(M) at 1kHz  
 Rated voltage: 250VAC  
 Withstand voltage(terminal-terminal): 250VAC $\times$ 230% for 60s  
 (terminal-enclosure): 1500VAC for 60s  
 Insulation resistance:  $\geq$ 2000M $\Omega$  at 500VDC, 20 $^{\circ}$ C for 60s  
 Dissipation factor:  $\leq$ 1.0% at 1kHz, 20 $^{\circ}$ C  
 Category temperature range: From -40 $^{\circ}$ C to +85 $^{\circ}$ C (including temperature rise on unit surface)

Reference

DESIGN	S. Yoshigai
CHECKED	M. Nishikawa
APPROVAL	M. Nagasawa
ESTABLISHMENT	Nov.22.1988
TYPE NAME	ECQE2A***()FB
NAME	Metallized Polyester Film Capacitor
DRAWING NAME	PRODUCT DRAWING
DRAWING No.	CT-H-822E (1/1)

MARKING EXAMPLE

