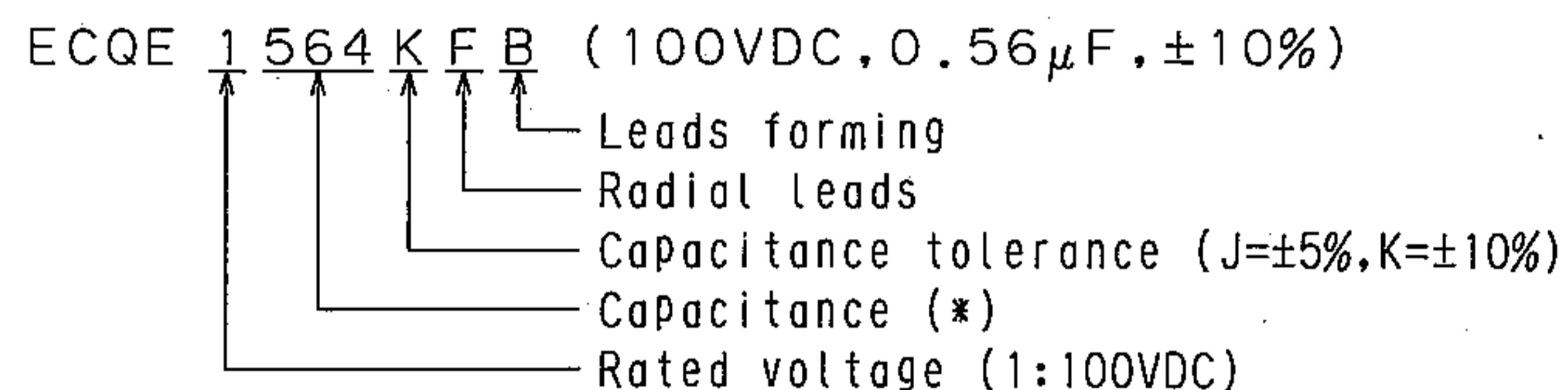


THIRD ANGLE PROJECTION

ITEM CODE	RATED VOLTAGE	CAP. μF (*)	DIMENSIONS					MARKING STYLE	FORMING TYPE
			L	T	H	S	d		
ECQE1564()FB	100VDC	0.56 (564)	12.0	5.5	10.9	10.0	0.6	1	D
// 1684()FB	//	0.68 (684)	//	6.0	11.9	//	//	//	//
// 1824()FB	//	0.82 (824)	//	//	13.5	//	//	//	//
// 1105()FB	//	1.0 (105)	//	6.7	14.0	//	//	//	//
// 1125()FB	//	1.2 (125)	18.5	5.5	12.8	//	//	2	B
// 1155()FB	//	1.5 (155)	//	6.0	13.4	//	0.8	//	//
// 1185()FB	//	1.8 (185)	//	6.5	14.4	//	//	//	//
// 1225()FB	//	2.2 (225)	//	7.0	15.0	//	//	//	//
// 1275()FB	//	2.7 (275)	//	8.0	15.8	//	//	//	//
// 1335()FB	//	3.3 (335)	//	8.5	16.5	//	//	//	//
// 1395()FB	//	3.9 (395)	26.0	7.0	16.4	15.0	//	//	//
// 1475()FB	//	4.7 (475)	//	7.5	17.0	//	//	//	//
// 1565()FB	//	5.6 (565)	//	8.3	17.5	//	//	//	//
// 1685()FB	//	6.8 (685)	//	9.0	18.5	//	//	//	//
// 1825()FB	//	8.2 (825)	//	10.0	20.0	//	//	//	//
// 1106()FB	//	10.0 (106)	//	11.5	21.0	//	//	//	//

TOL. SYMBOL (J or K)

ITEM CODE NUMBER STRUCTURE



CONSTRUCTION

The capacitor is of non-inductive construction, wound with metallized polyester film dielectric.
The capacitor is enclosed in non-combustible epoxy resin and has two leads.

MARKING

Marking comprises capacitance, capacitance tolerance, rated voltage, manufacturer's trademark (STYLE 2 only) and date code.

PROPERTIES

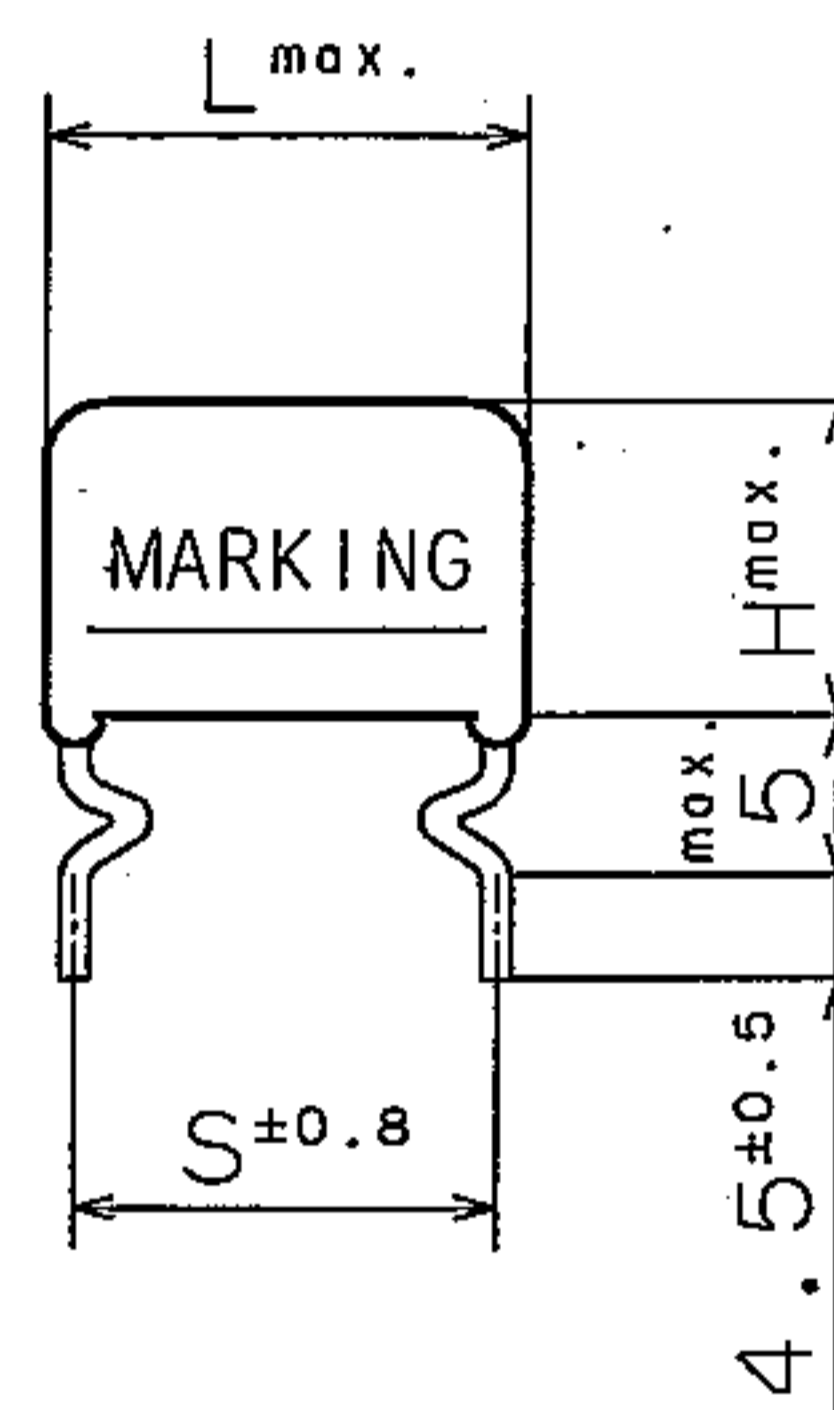
Capacitance	: See table	at 1kHz
Capacitance tolerance	: $\pm 5\%$ (J), $\pm 10\%$ (K)	at 1kHz
Rated voltage	: 100VDC	
Withstand voltage	: 100VDC $\times 150\%$ for 60s	
Insulation resistance	: $\geq 3000 M\Omega \cdot \mu F$ at 100VDC, 20°C for 60s	
Dissipation factor	: $\leq 1.0\%$ at 1kHz, 20°C	
Category temperature range	: From -40°C to +85°C	(including temperature rise on unit surface)

DO NOT SCALE DRAWING REVISIONS INDICATED BY Δ ALL DIMENSIONS ARE IN MILLIMETERS

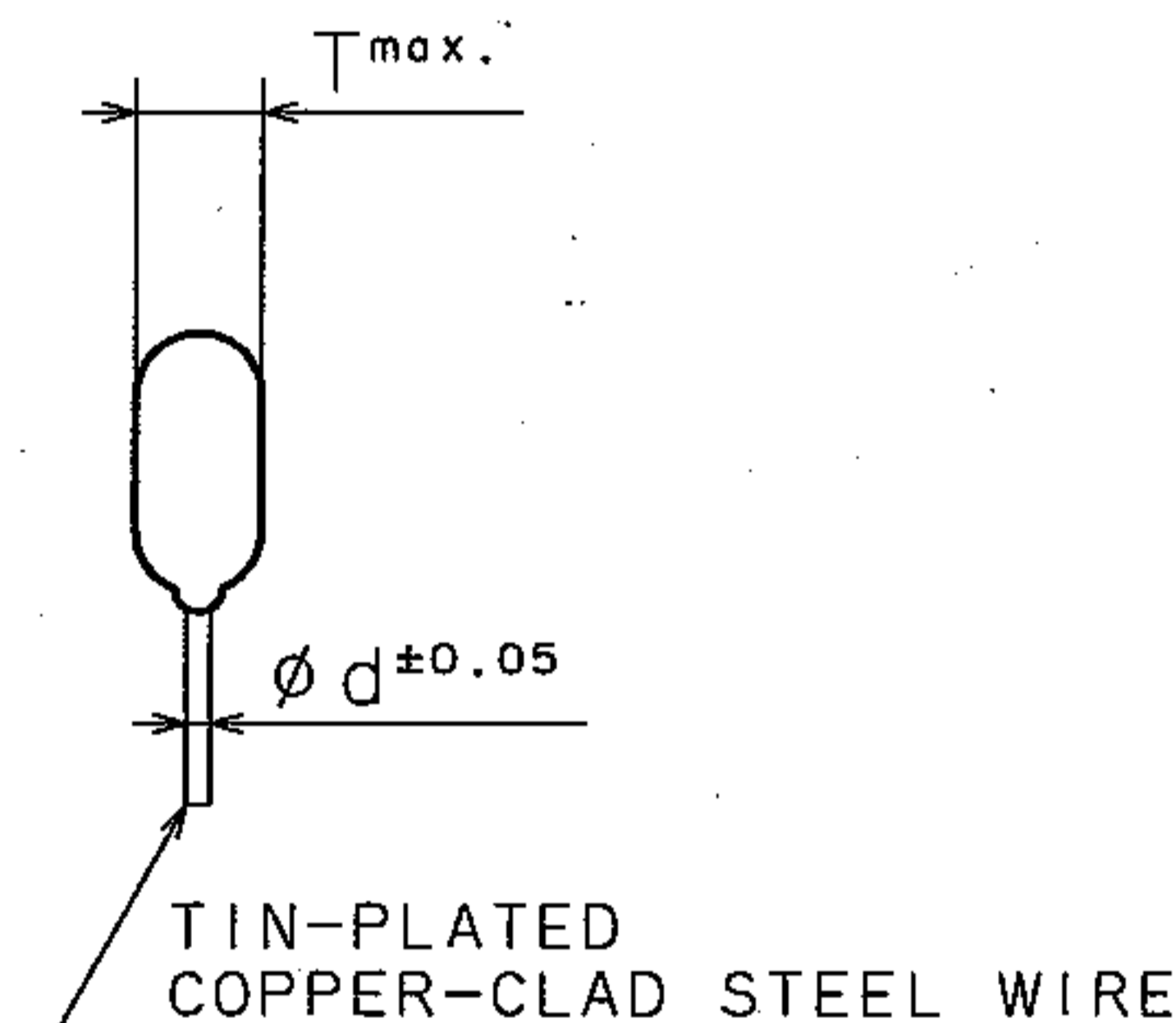
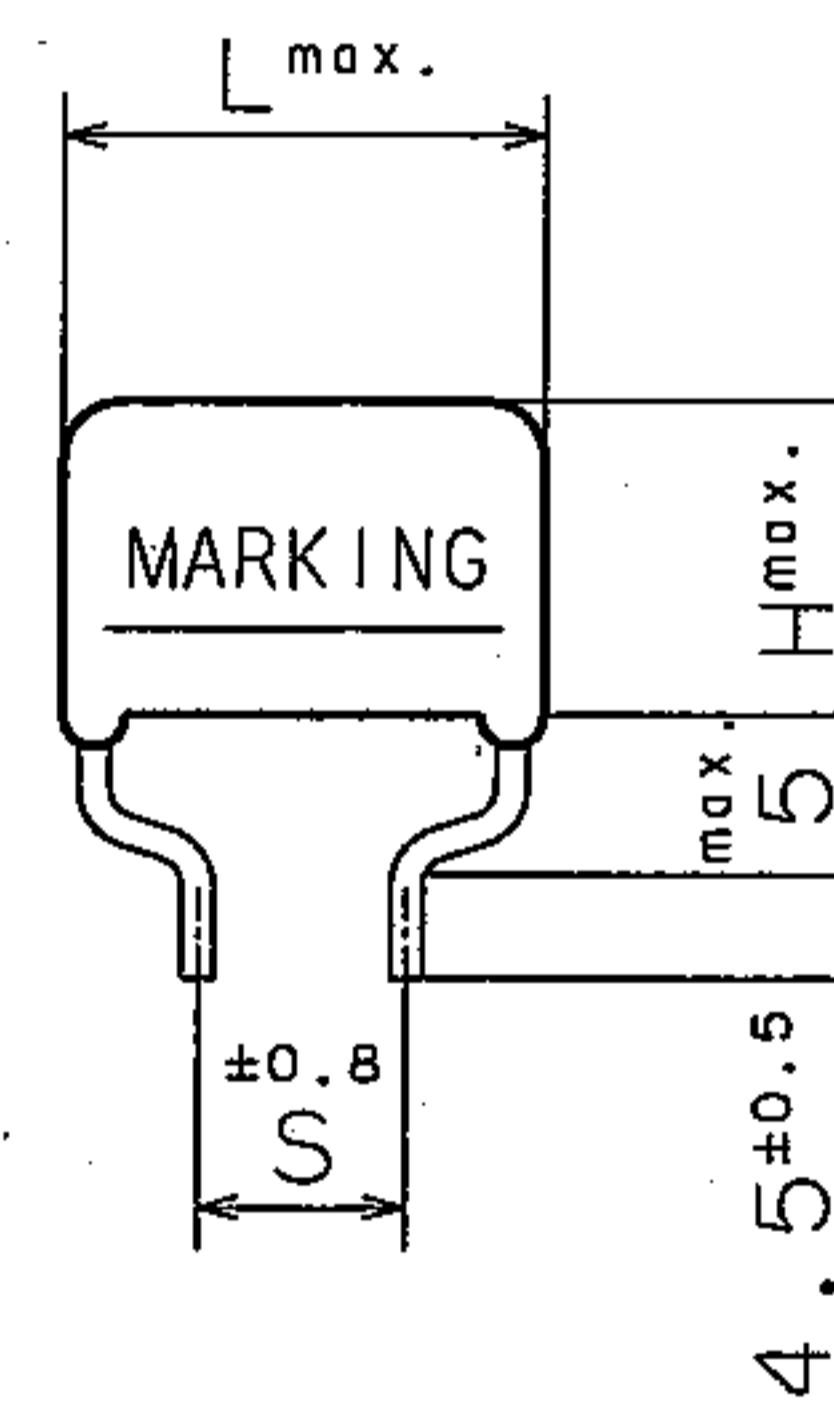
ALTERATION		
ISSUE	DESCRIPTION	DATE

SPECIFICATIONS No. TEB7174H

TYPE D

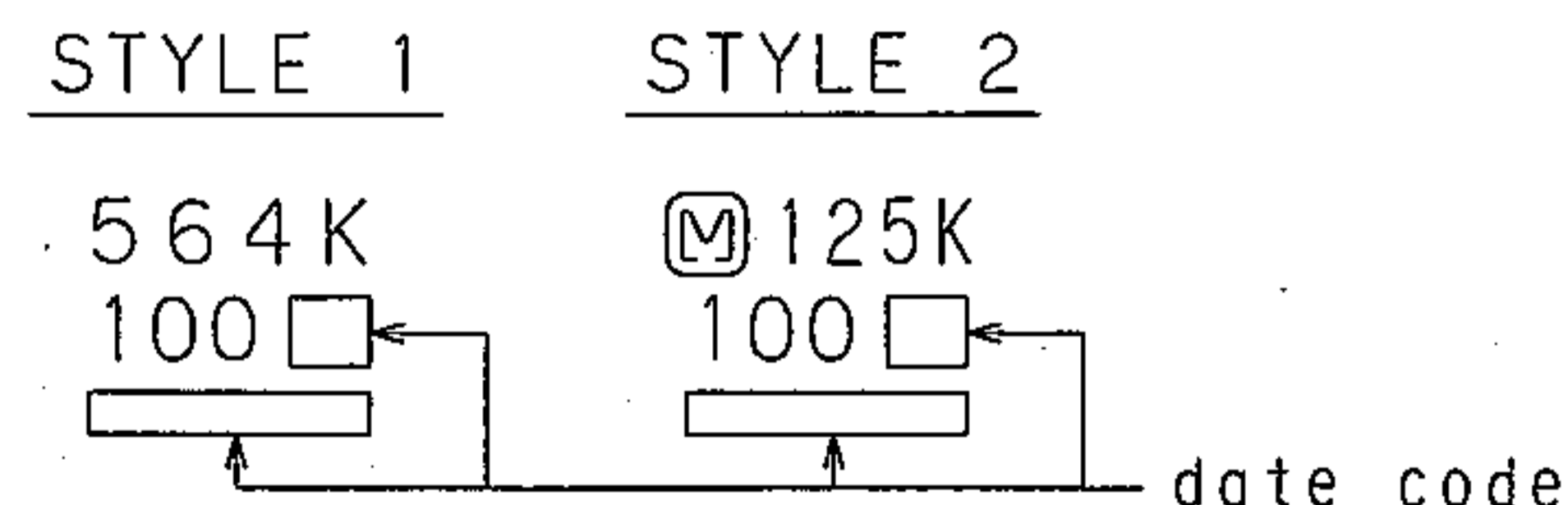


TYPE B



Reference

MARKING EXAMPLE



DESIGN	S. Yoshiz
CHECKED	M. Nishikawa
APPROVAL	M. Nagasaka
ESTABLISHMENT	Dec. 5, 2005
TYPE NAME	ECQE1***()FB
NAME	Metallized Polyester Film Capacitor
DRAWING NAME	PRODUCT DRAWING
DRAWING No.	5076M-J-E (1/1)

Panasonic Electronic Circuit Capacitor Business Unit, Panasonic Electronic Devices Co., Ltd.