

THIRD ANGLE PROJECTION

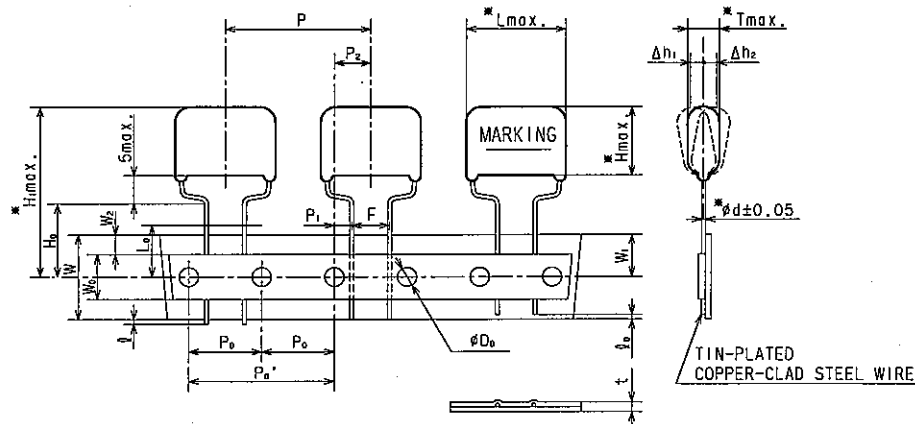
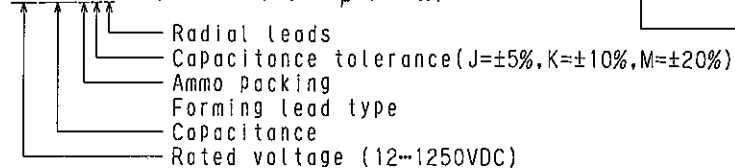
ITEM CODE	CAP. (μ F)	DIMENSIONS				
		*L	*T	*H	*d	*H ₁
ECQE12102R()F	0.001	15.5	6.0	11.0	0.6	33.0
# 12122R()F	0.0012	#	#	#	#	#
# 12152R()F	0.0015	#	#	#	#	#
# 12182R()F	0.0018	#	#	#	#	#
# 12222R()F	0.0022	#	#	11.5	#	33.5
# 12272R()F	0.0027	#	6.5	12.0	#	34.0
# 12332R()F	0.0033	#	6.0	11.5	#	33.5
# 12392R()F	0.0039	#	6.5	12.0	#	34.0
# 12472R()F	0.0047	#	7.0	12.5	#	34.5
# 12562R()F	0.0056	#	7.5	13.0	#	35.0
# 12682R()F	0.0068	#	#	15.0	#	37.0
# 12822R()F	0.0082	21.0	5.0	12.0	#	34.0
# 12103R()F	0.01	#	#	12.5	#	34.5
# 12123R()F	0.012	#	5.5	13.0	#	35.0
# 12153R()F	0.015	#	6.0	13.5	#	35.5
# 12183R()F	0.018	#	6.5	14.5	0.8	36.5
# 12223R()F	0.022	#	7.0	15.0	#	37.0

* TOL. SYMBOL (J or K or M)

ALTERATION		
ISSUE	DESCRIPTION	DATE
SPECIFICATIONS No.		

ITEM CODE NUMBER STRUCTURE

ECQE 12102RKF (1250VDC, 0.001 μ F, \pm 10%)



SYMBOL	ITEM	DIMENSION	REMARKS
P	Pitch of component	30.0 \pm 1.0	Tilt of component and curvature of leads shall be included.
P ₀ '	Feed hole pitch	30.0 \pm 0.2	
P ₀	#	15.0 \pm 0.2	
P ₁	Feed hole center to lead	3.75 \pm 0.5	
P ₂	Hole center to comp. center	7.5 \pm 1.3	Tilt of component due to curvature of leads shall be included.
F	Lead-to-lead distance	7.5 \pm 0.2	
Δh _{1,2}	Component alignment	0-2.0	Tilt of component due to curvature of leads shall be included.
W	Paper backing width	18.0 \pm 0.5	
W ₀	Adhesive tape width	12.5min.	The hold down tape shall not protrude beyond the carrier tape.
W ₁	Hole position	9.0 \pm 0.5	
W ₂	Hold-down tape position	0-3.0	
H ₀	Lead-wire clinch height	16.0 \pm 0.4	
l	Lead-wire protrusion	0max.	
φ ₀	Lead-wire depression	7.0max.	
φD ₀	Feed hole diameter	4.0 \pm 0.2	
t	Total tape thickness	0.7 \pm 0.2	Total thickness including the hold down tape.
L ₀	Length of snapped lead	11.0max.	

CONSTRUCTION

The capacitor is of non-inductive construction, wound with metallized polyester film dielectric.
The capacitor is enclosed in non-combustible epoxy resin and has two leads.

MARKING

Marking comprises capacitance, capacitance tolerance, rated voltage, type name, manufacturer's trademark and date code.

PROPERTIES

Capacitance : See table at 1kHz
 Capacitance tolerance : \pm 5%(J), \pm 10%(K), \pm 20%(M) at 1kHz
 Rated voltage : 1250VDC/125VAC
 Withstand voltage (terminal-terminal) : 1250VDC \times 175% for 2s-5s (1000VAC for 60s)
 (terminal-enclosure) : 1500VAC for 60s
 Insulation resistance : \geq 10000M Ω at 100VDC, 20 $^{\circ}$ C for 60s
 \geq 2000M Ω at 500VDC, 20 $^{\circ}$ C for 60s
 Dissipation factor : \leq 1.0% at 1kHz, 20 $^{\circ}$ C
 Category temperature range : From -40 $^{\circ}$ C to +85 $^{\circ}$ C (including temperature rise on unit surface)

MARKING EXAMPLE

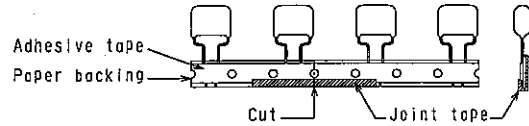
Ⓜ 102 M
 Q-E 1250V
 125V- ← date code

Reference

DESIGN	S. Yoshida
CHECKED	M. Nishikawa
APPROVAL	M. Nagaiwa
ESTABLISHMENT	Sep. 5, 2005
TYPE NAME	ECQE12***R()F
NAME	Metallized Polyester Film Capacitor
DRAWING NAME	PRODUCT DRAWING
DRAWING No.	5055M-J-E (1/2)

Panasonic Electronic Circuit Capacitor Business Unit,
 Panasonic Electronic Devices Co., Ltd.

Note 1. No more than 2 consecutive missing is permitted.
 Note 2. A tape conjunction and a tape discrepancy specify as follows.

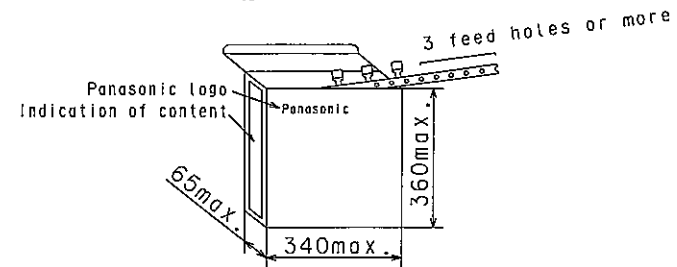


A tape sliding shall not exceed in an allowance of "P₀" dimension.
 A joint tape put on the back side of paper backing, and turn up the lower part to the front.

Note 3. Marking on components may not be the same side.
 Note 4. The tape adhesion is more than 3.92N(400gf)/25mm.
 Note 5. A tape trailer having at least 3 feed holes is required at the end of the tape.

Packing specification

1. Case size
Ammo pack



2. Packing quantity

Capacitance range	Packing quantity
0.001~0.0047 μ F	500
0.0082~0.022 μ F	400
0.0056, 0.0068 μ F	400

3. Handling notes

- 1) One package must be packed one product only.
- 2) The storage must be stacked 5 boxes or less (surface printed placing upward). (For prevention from displacement of capacitors and damage of lead crimping.)
- 3) The packing box must be handled with care and never thrown out.

Reference

TYPE NAME	ECQE12***R()F
DRAWING No.	5055M-J-E (2/2)

Panasonic Electronic Circuit Capacitor Business Unit,
 Panasonic Electronic Devices Co., Ltd.