

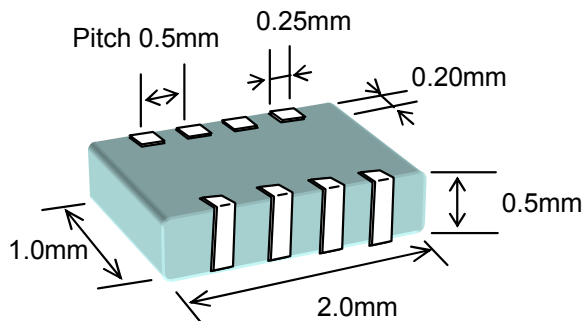
“ EXC28B series ”

For Parallel Data Line

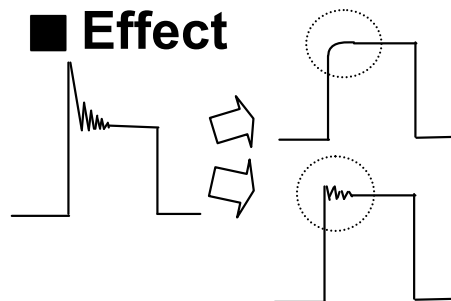
Appearance



Dimension



Effect



EXC28BA

For high speed data line
Suppress the ringing

EXC28BB

High attenuation in high frequency (80MHz~)
Reduce the noise without dulling the wave form

Specification

Part Number	Impedance at 100MHz (Ω)	Rated I. (mA)	R DC (Ω)
EXC28BA121	120 ±25%	100	0.5
EXC28BA221	220 ±25%	100	0.7
EXC28BB121	120 ±25%	100	0.5
EXC28BB221	220 ±25%	100	0.7

Features

- Compatible with SSOP package (0.5mm pitch)
- Space saving 60% area compared with 1005 (inch) array
- Light weight (1/4 weight compared with 1005 (inch) array)
- **EXC28BA**: Suppress the ringing (High loss from lower frequency)
- **EXC28BB**: Reduce the noise without dulling the wave form (High loss in high frequency (over 80MHz))
- Excellent Cross Talk Characteristics (100MHz: <-30dB)

Applications

Mobile-phone, PC, DSC, PDA, Navigation System, Game etc.

Impedance (Typical)

